



DFRD-090-E

desiccant rotor air dehumidifier



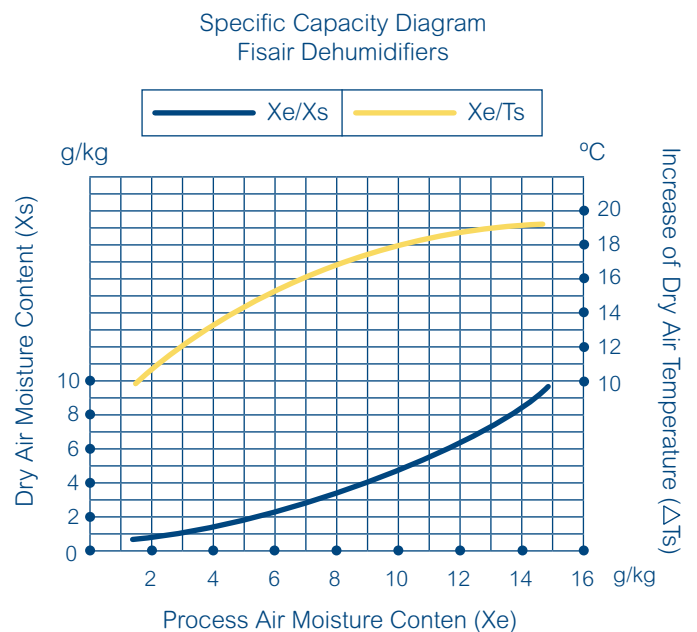
technical data

Process/Dry Air Flow	700	Nm ³ /h
Available Pressure For Ducting	470	Pa
Reactivation Air Flow	210	Nm ³ /h
Available Pressure For Ducting	320	Pa
Nominal Drying Capacity (*)	4,2	kg/h
Total Power Supply	7	Kw
Motors Power	0,5	Kw
Reactivation Heater Power	6,5 (nominal) 9,3 (maxim)	Kw
Electrical Supply	400V/III+N/50Hz	

12/04 F-3383-01/B

(*) Nominal capacity: 20°C and 60% R.H.

capacity diagram (*)



Settled Parameters:

- Process/Reactivation Air Temperature: 20 °C
- ΔT Reactivation Heater According To Nominal Power
- Equal Process/Reactivation Air Moisture Content

(*) At other operating conditions, pls. ask for the corresponding performances

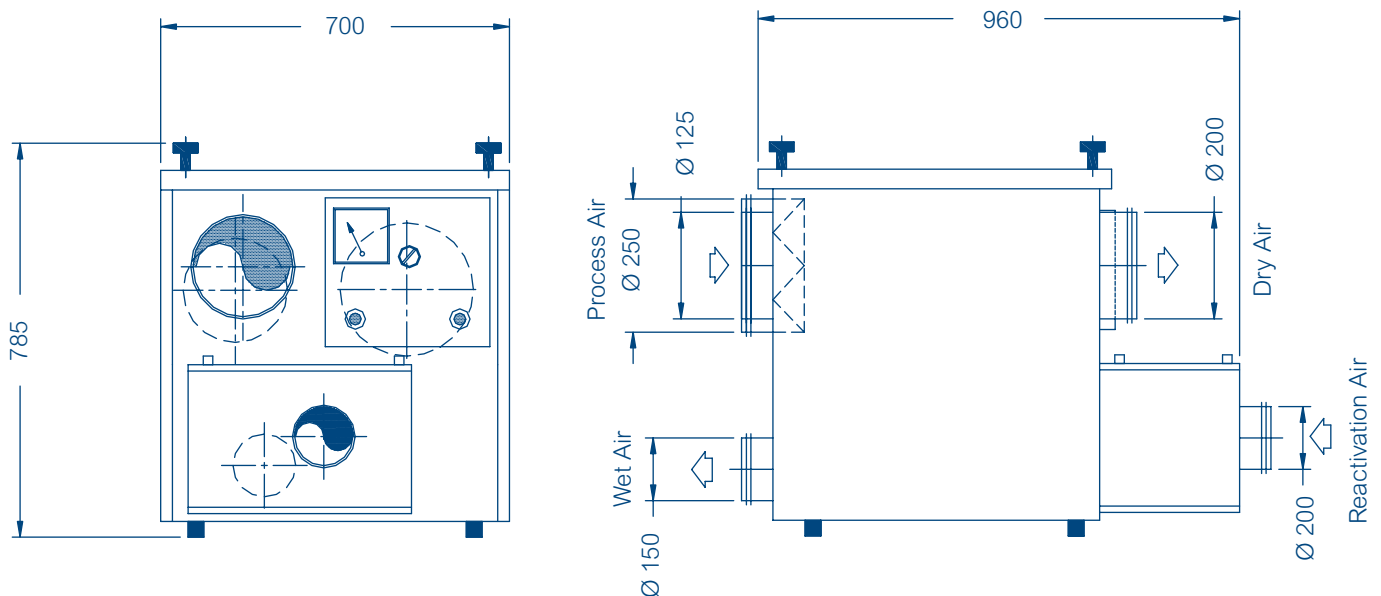


specification

Air dehumidifier by high performance desiccant silicagel rotary element, brand FISAIR, model DFRD-090-E:

- Self-supporting stainless steel sheet housing, easily serviceable.
- Air intake with G4 filter mat, centrifugal simple ear air fans with direct motor drive, two independent ones for dry air / wet air.
- Rotary desiccant element driven by gear motor, teeth pulley and transmission belt.
- Partition and peripheral contact-type airseals.
- Desiccant reactivation air heater PTC-type, with self limited operation temperature.
- Air inlets (Process and Reactivation) and air outlets (Dry and Wet) by round connectors with rubber seals.
- On-off switch with on-light.
- Operation Ampere-gage.
- Performance, airflows and other data as per front page.

overall dimensions



Remark: - Approx. weight: 85 kg
- All dimensions in mm